

UltraShade



Ph: 07 3265 7288

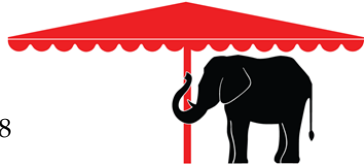
Heavy Duty Umbrella Installation Instructions

Bolt Down Installations - Fixing to Concrete:

Supplied Parts:	Recommended Fixings:	Tools Required:
a) The Base Plate (250mm x 250 mm x 12mm)	M12 x 100mm Dyna Bolts - Stainless Steel	1. M12 Concrete SDS Drill Bit
b) Umbrella Spigot	M12 Chem Set - Stainless Steel	2. SDS Drill
c) Five 3/8" x 1" Bolts	M12 Screw Bolt - Galvanized	3. Post Level
d) Five 3/8" Spring Washers		4. Dust Extraction
e) Two 1/2" Grub Screws	Minimum Concrete Thickness: Reinforced concrete slab 100mm thick.	5. Spanner/Socket Set
f) One 1/4" Allen Key	PPE Required: Dust mask, Safety Glasses, Hearing Protection, Gloves	6. Cordless Drill
g) One M8 x 90 mm Stainless Bolt & Nylock Nut		7. Tape Measure
h) Umbrella Hat		8. 8mm Cobalt Drill Bit
i) Umbrella Handle		9. 9/16" Spanner
		10. 1 box M12 Flat Washer

1. Bolt the spigot to the base plate using the 3/8" x 1" bolts and spring washers supplied using the 9/16" spanner.
2. Slide the spigot and the attached base up inside the umbrella post and lock in place using the Allen Key with the two supplied 1/2" Grub Screws
3. Attach the Hat to the umbrella using the threaded hole at the top of the umbrella with the 9/16" Spanner. Once the Hat is attached, do not lay umbrella down as to not damage the hat.
4. Stand the umbrella in approximate location using 3 people. Have one person on the base end and two people on the canopy end, carry the umbrella to the approximate position and rest the base on the ground while two people hold the umbrella up. Have someone hold the base so it does not slip whilst two people push the umbrella vertical. Open the umbrella by removing the strap, attaching the handle and pushing all 8 arms out. Tighten the umbrella and lock in place. Have a few people hold the umbrella and measure to final position.
5. Using the post level, ensure the umbrella is plumb. Use M12 Stainless Steel Flat Washers under the fixing holes to level the base plate if required. The fixing bolts will be able to pass through the washers and hold the packing in place.
6. Use the base plate as a template and drill through the base fixing holes to the required depth of your concrete fixings. Ensure to use correct dust extraction techniques.
7. Fix the umbrella down using dyna bolts or similar and cap with dome nuts.
8. Loosen the 1/2" grub screws and rotate umbrella to desired orientation. Lock grub screws again with Allen Key.
9. Locate the 8mm hole in the umbrella post 50mm up from the bottom of the post.
10. Using the 8mm cobalt drill bit, drill through the spigot from one side of the umbrella, then drill through the other side of the umbrella then run the drill through both holes.
11. Secure the umbrella to the spigot with the M8 x 90 mm bolt and Nylock nut.
12. Check Spigot bolts are tight.
13. Tighten the umbrella and remove the handle. Enjoy your UltraShade Heavy Duty Umbrella!

UltraShade



Ph: 07 3265 7288

Heavy Duty Umbrella Installation Instructions

Bolt Down Installation – Fixing to Timber Deck:

Supplied Parts:	Recommended Fixings:	Tools and Hardware Required:
<ul style="list-style-type: none">a) The Base Plateb) Umbrella Spigotc) Five 3/8" x 1" Boltsd) Five 3/8" Spring Washerse) Two 1/2" Grub Screwsf) One 1/4" Allen Keyg) One M8 x 90 mm Stainless Bolt & Nylock Nuth) Umbrella Hati) Umbrella Handle	<p>M12 x 130mm Hex Head Bolts - Stainless Steel</p> <p>M12 x 150mm Head Bolts - Stainless Steel</p> <p>M12 Stainless Steel Nuts</p> <p>PPE Required: Dust mask, Safety Glasses, Hearing Protection, Gloves</p>	<ul style="list-style-type: none">1. M12 Long Series Drill Bit2. M5 Long Series Drill Bit,3. Cordless Drill4. Impact Driver5. Post Level6. Dust Extraction7. Spanner/Socket Set8. Tape Measure9. 8mm Cobalt Drill Bit10. 9/16" Spanner11. 1 box M12 S/S Flat Washer12. 75mm or 100mm Batton Screws13. Length of 75mm x 100mm hardwood.

1. Bolt the spigot to the base plate using the 3/8" x 1" bolts and spring washers supplied using the 9/16" spanner.
2. Locate the final position of the umbrella. It is ideal to have the base fit between two joists rather than sitting over the top of a joist.
3. With the base in its final position and orientation, use the base a template and drill through your decking boards through the base fixing holes with a M12 drill. This marks where you will need to reinforce the deck.
4. Get under the deck and measure the distance between you joists and cut two lengths of 75 x 100mm hardwood to those lengths.
5. Ensure the centre of the hardwood aligns with the holes drilled through the decking boards and pre-drill the joists and hardwood with a 5mm drill and fix to the joists using 75mm or 100mm batten screws.
6. From the top of the deck, drill through the hardwood reinforcing with the M12 drill bit.
7. Slide the spigot and the attached base up inside the umbrella post and lock in place using the Allen Key with the two supplied 1/2" Grub Screws.
8. Stand the umbrella in approximate location using 3 people. Have one person on the base end and two people on the canopy end, carry the umbrella to the approximate position and rest the base on the ground while two people hold the umbrella up. Have someone hold the base so it does not slip whilst two people push the umbrella vertical. Open the umbrella by removing the strap, attaching the handle and pushing all 8 arms out. Tighten the umbrella and lock open. Have a few people hold the umbrella and align the base to 12mm holes in the deck.
9. Using the post level, ensure the umbrella is plumb. Use M12 Stainless Steel Flat Washers under the fixing holes to level the base plate if required. The fixing bolts will be able to pass through the washers and hold the packing in place.
10. Insert the M12 Bolts into the base and through the holes in the deck and reinforcing hardwood.
11. From underneath the deck, fix the bolts down with a M12 washer and nut.
12. Loosen the 1/2" grub screws and rotate umbrella to desired orientation. Lock grub screws again with Allen Key.
13. Locate the 8mm hole in the umbrella post 50mm up from the bottom of the post.
14. Using the 8mm cobalt drill bit, drill through the spigot from one side of the umbrella, then drill through the other side of the umbrella then run the drill through both holes.
15. Secure the umbrella to the spigot with the M8 x 90 mm bolt and Nylock nut.
16. Check Spigot bolts are tight.
17. Tighten the umbrella and remove the handle. Enjoy your UltraShade Heavy Duty Umbrella!

UltraShade



Ph: 07 3265 7288

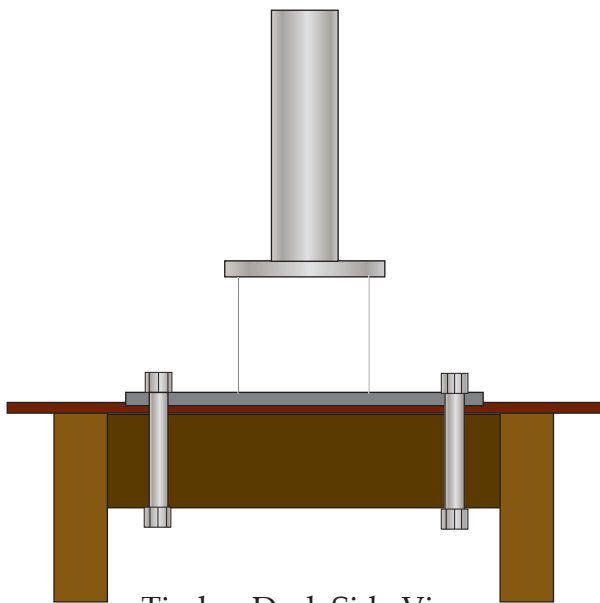
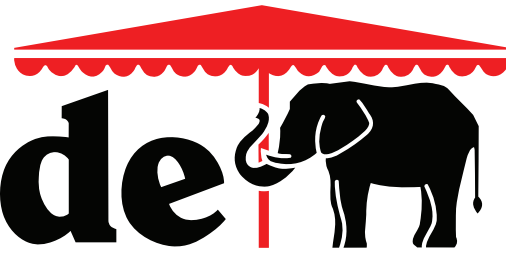
Heavy Duty Umbrella Installation Instructions

In-ground Installations - Paving, soil or loose-ground

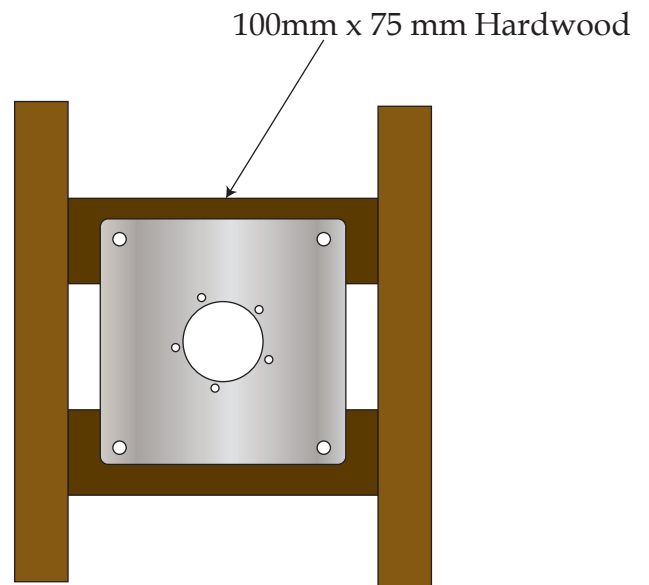
<p>Supplied Parts:</p> <ul style="list-style-type: none"> a) The In-ground Base b) Umbrella Spigot c) Five 3/8" x 1" Bolts d) Five 3/8" Spring Washers e) Two 1/2" Grub Screws f) One 1/4 " Allen Key g) One M8 x 90 mm Stainless Bolt & Nylock Nut h) Umbrella Hat i) Umbrella Handle 	<p>Recommended Fixings: 4 x 20 KG Bag Structural Concrete Premix (Rapid set is strongly discouraged)</p> <p>PPE Required: Dust mask, Safety Glasses, Hearing Protection, Gloves</p>	<p>Tools and Hardware Required:</p> <ul style="list-style-type: none"> 1. Post Hole Shovel 2. Spade 3. Crowbar or Jackhammer 4. Wheelbarrow 5. Cordless Drill 6. Post Level 7. Hose 8. Spanner/Socket Set 9. Tape Measure 10. 8mm Cobalt Drill Bit 11. 9/16" Spanner
--	---	--

1. Bolt the Spigot to the In-ground base using the 3/8" x 1" Bolts and 3/8" Spring Washers and the 9/16" spanner.
2. Dig a hole for the concrete measuring approximately 400mm wide x 500mm deep. **Note:** The size of the hole depends on the soil type, (e.g., sandy soil = 500mm x 700mm). For taller umbrellas (custom height) = 500mm x 700mm.
3. Mix the required concrete and fill the hole until the level of the concrete is approximately 50mm below the ground level.
4. Insert the in-ground base into the concrete. The underside of the base flange should be **at least 12mm above** ground level.
5. Using a post level, ensure the spigot is plumb while the concrete goes off.
6. UltraShade recommend leaving the concrete for 5 - 7 days to cure.
7. Remove the spigot from the in-ground base and insert into umbrella pole and lock in place with the two 1/2" grub screws and Allen key.
8. Attach the Hat to the umbrella using the threaded hole at the top of the umbrella with the 9/16" Spanner. Once the Hat is attached, do not lay umbrella down as to not damage the hat.
9. Stand the umbrella using 3 people. Have one person on the base/spigot end and two people on the canopy end, carry the umbrella to the in-ground base and rest the flange of the spigot on the in-ground base. Have someone hold the spigot down so it does not slip whilst two people push the umbrella vertical. Align the spigot holes with the base holes and secure the umbrella with the 3/8" x 1" Bolts and spring washers. Open the umbrella by removing the strap, attaching the handle and pushing all 8 arms out. Tighten the umbrella and lock open.
10. Loosen the 1/2" grub screws and rotate umbrella to desired orientation. Lock grub screws again with Allen Key.
11. Locate the 8mm hole in the umbrella post 50mm up from the bottom of the post.
12. Using the 8mm cobalt drill bit, drill through the spigot from one side of the umbrella, then drill through the other side of the umbrella then run the drill through both holes.
13. Secure the umbrella to the spigot with the M8 x 90 mm bolt and Nylock nut.
14. Check the spigot bolts are tight.
15. Tighten the umbrella and remove the handle. Enjoy your UltraShade Heavy Duty Umbrella!

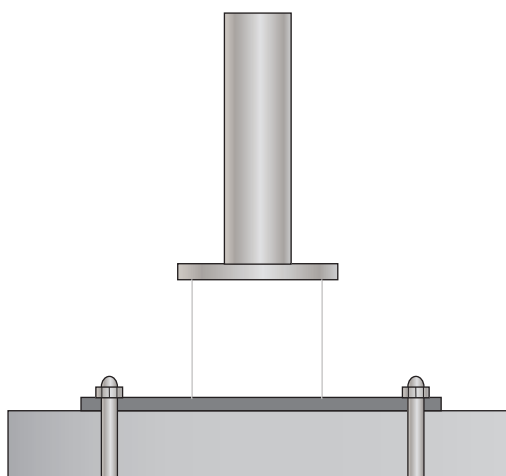
UltraShade



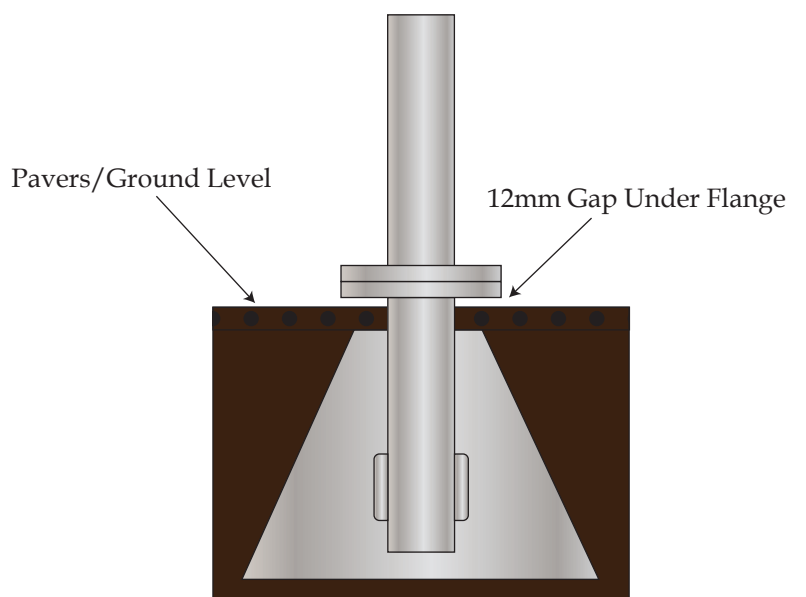
Timber Deck Side View



Timber Deck Plan View



Bolt Down Base on Concrete



Inground Base

Footing Size:
Approximately 400mm x 600 mm