



HEAVY DUTY UMBRELLAS

INSTALLATION INSTRUCTIONS

BOLTDOWN BASES

Are supplied in two parts: a) Top Half - Spigot
 b) Bottom Half - Base plate

1. Bolt spigot to base plate using the bolts supplied.
2. Bolt base plate to the concrete pad using Dyna Bolts or similar
or Bolt base plate to timber decking using suitable bolts. **Timber decks need to be reinforced between the joists.**
3. Base plate must be level so the spigot is vertical.

INGROUND BASES

Are supplied in two parts: a) Top Half - Spigot
 b) Bottom Half - Inground Base

1. Bolt two parts together using bolts supplied
2. Dig a hole for the concrete measuring approximately 400mm wide x 500mm deep.

Note: The size of the hole depends on the soil type; e.g. sandy soil = 500mm x 700mm.
 For taller umbrellas (custom height) = 500mm x 700mm.

3. The underside of the base flange should be **at least 12mm above** ground level.
4. Base must be LEVELLED so that the SPIGOT IS EXACTLY VERTICAL.
5. Concrete must be left to set for **THREE to FOUR DAYS** before standing the umbrella.

STANDING HEAVY DUTY UMBRELLAS

1. Remove spigot from the bolt down base plate or the inground base.
2. Insert spigot inside umbrella pole
3. Tighten grub screws with allen key supplied.
4. Screw hat on firmly (do not overtighten)
5. One person to guide the spigot onto the base plate or the inground base.
6. Two people to push umbrella upright and hold in place.
7. Secure spigot to base plate or inground base with bolts supplied.
8. Open Umbrella
9. Loosen grub screws.
10. Turn to desired open position.
11. Tighten grub screws.
12. Drill 8mm holes into spigot & install 8mm bolt as per "LOCKING BOLT INSTALLATION INFORMATION"

***** IMPORTANT NOTE *****

Over time the grub screws may loosen, especially in windy conditions. We recommend that the grub screws be checked regularly to ensure they are tight. Use the Allen Key supplied to ensure they are tight.

WARNING!!!

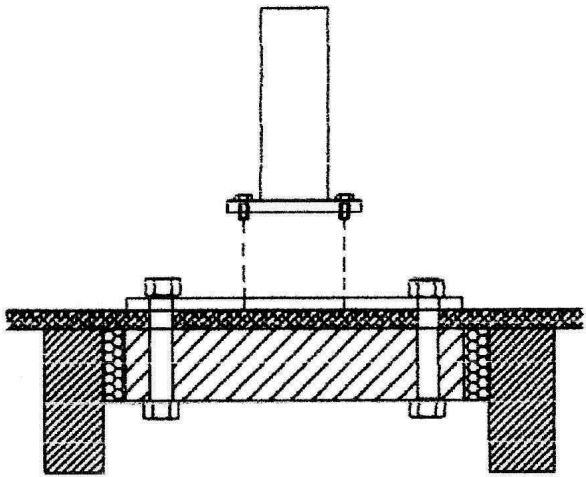
WARNING!!!

WARNING!!!

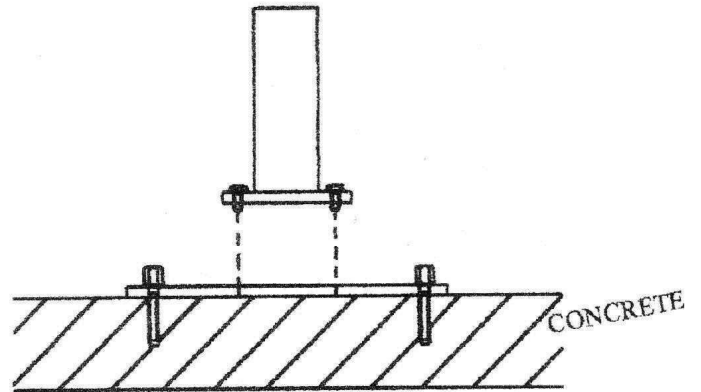
DO NOT stand umbrella up with spigot bolted to the base plate or the inground base and drop umbrella down. This will cause **severe damage** to your umbrella and is **NOT covered by our warranty.**

INSTALLATIONS

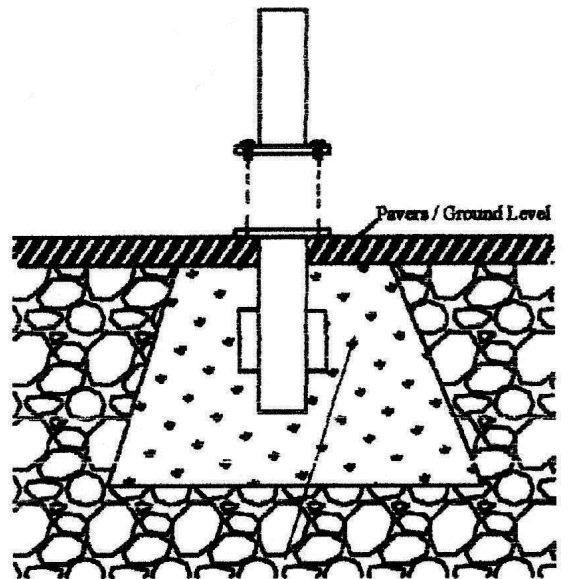
TIMBER DECK INSTALLATION
(SIDE VIEW)



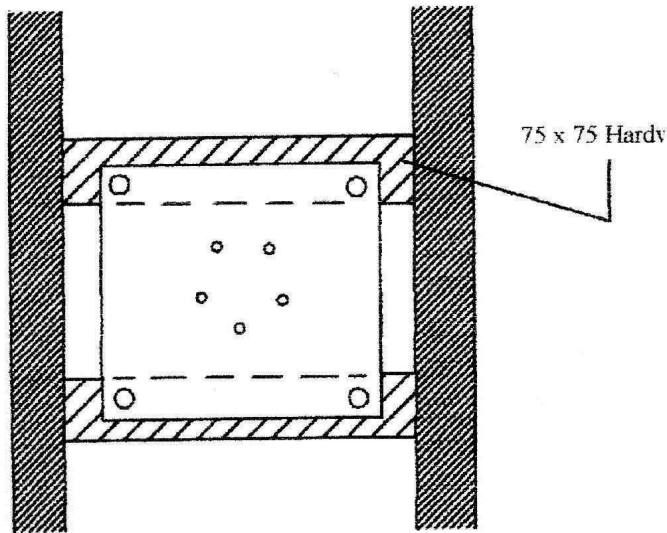
BOLT DOWN BASE
(SIDE VIEW)



INGROUND BASE
(SIDE VIEW)



*Footing 400 x 600 Approx.
Depending on Soil Type*



TIMBER DECK
PLAN VIEW